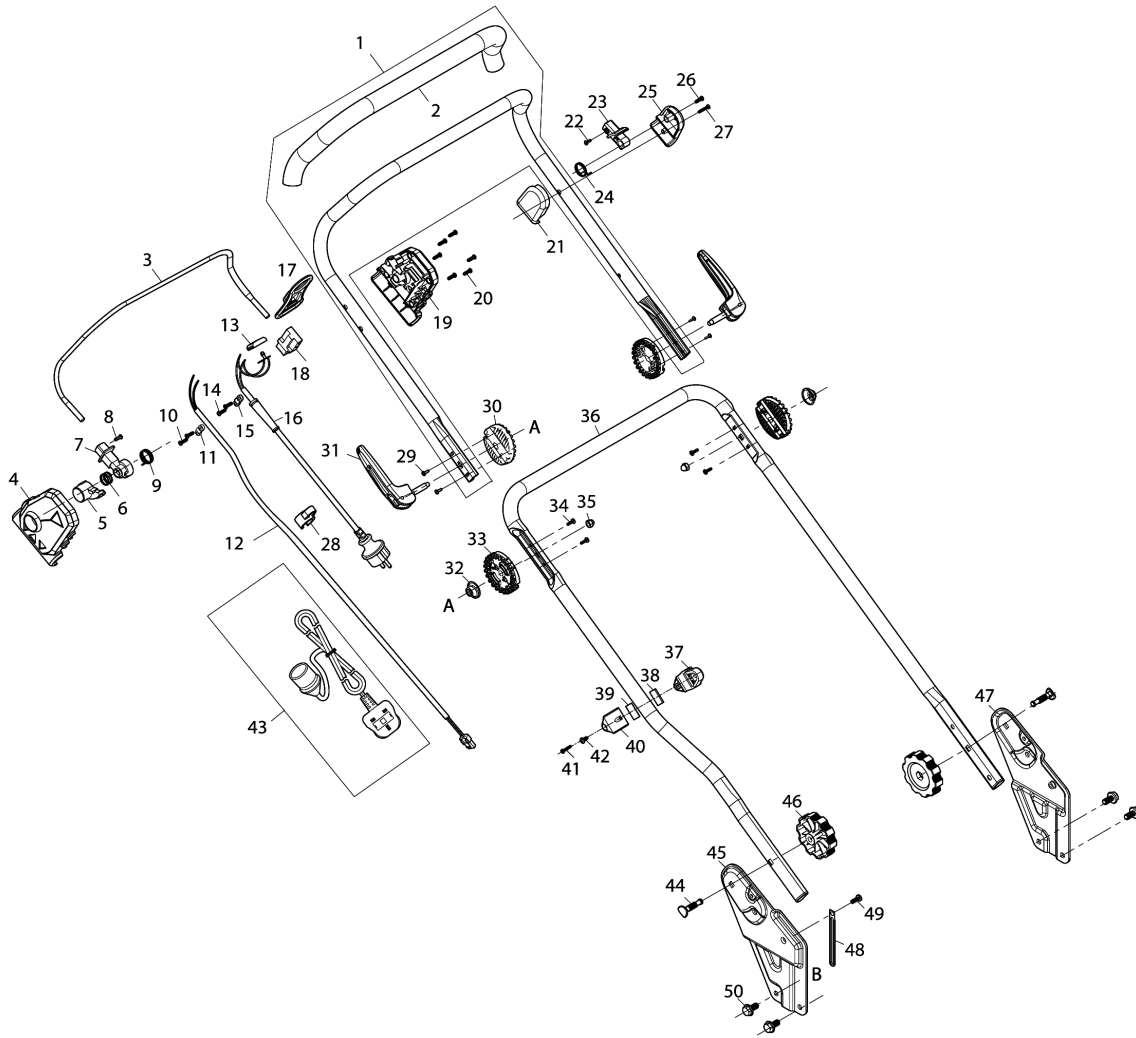
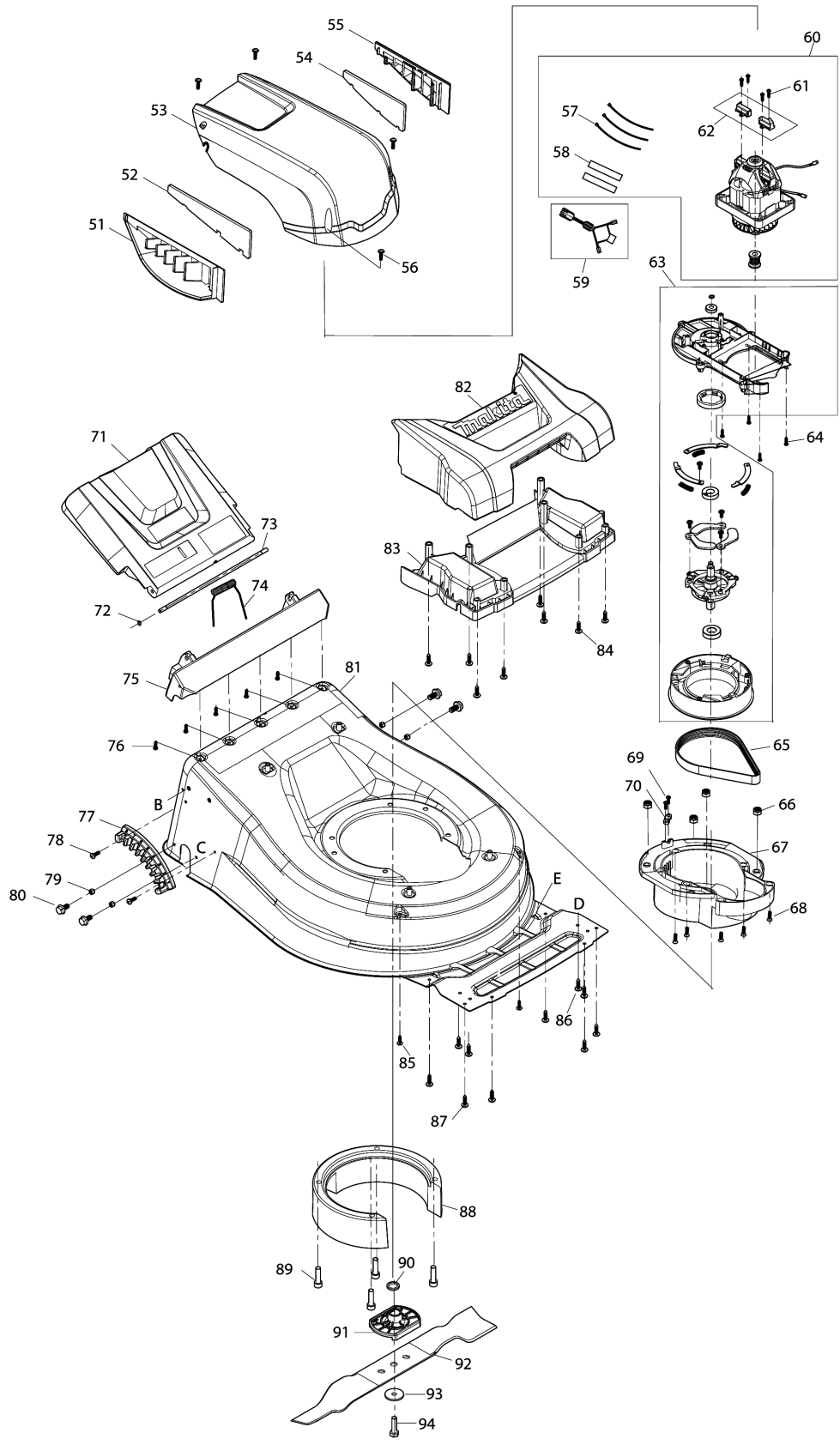


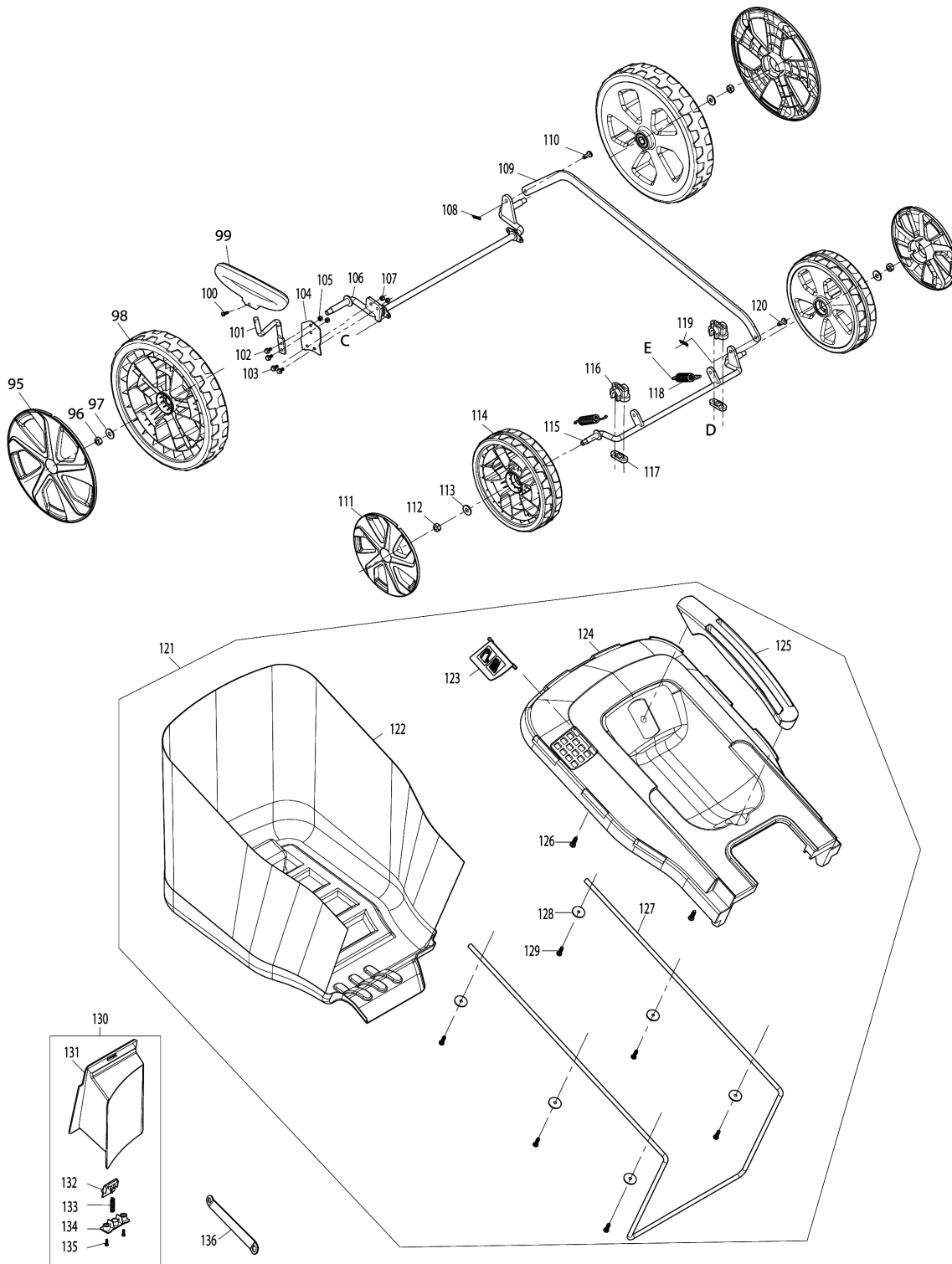
Model No.ELM4121 410MM ELECTRIC LAWN MOWER



Model No.ELM4121 410MM ELECTRIC LAWN MOWER



Model No.ELM4121 410MM ELECTRIC LAWN MOWER



Model No.ELM4121 410MM ELECTRIC LAWN MOWER

| Tétel | Cikkszám | Megnevezés | Átalakulás | Menny. | New/Old | Opc 1 | Opc 2 | Megjegyzés |
|-------|------------|-------------------------------|------------|--------|---------|-------|-------|------------|
| 001 | YA00000958 | UPPER HANDLE BAR ASSY | | 1 | | | | |
| D10 | | INC. 2 | | | | | | |
| 002 | YA00001187 | SPONGE GRIP | | 1 | | | | |
| 003 | YA00000959 | SWITCH LEVER | | 1 | | | | |
| 004 | YA00000765 | SWITCH BOX RIGHT | | 1 | | | | |
| 005 | YA00000766 | SWITCH LINK BUTTON | | 1 | | | | |
| 006 | YA00000767 | COMPRESSION SPRING 16.8 | | 1 | | | | |
| 007 | YA00000768 | SWITCH LEVER END CAP RIGHT | | 1 | | | | |
| 008 | 652024721 | SELF DRILLING SCREW 3.5X10 | | 1 | | | | |
| 009 | YA00000769 | SWITCH TORSION SPRING 21 | | 1 | | | | |
| 010 | YA00000778 | SELF TAPPING SCREW ST4X16 | | 2 | | | | |
| 011 | YA00000780 | CORD CLAMP | | 1 | | | | |
| 012 | YA00000914 | POWER SUPPLY CORD ASSY | | 1 | | | | |
| 013 | YA00000781 | INDICATOR LENZ | | 1 | | | | |
| 014 | YA00000778 | SELF TAPPING SCREW ST4X16 | | 2 | | | | |
| 015 | YA00000780 | CORD CLAMP | | 1 | | | | |
| 016 | YA00000773 | POWER SUPPLY CORD ASSY (EURO) | | 1 | | | | |
| 017 | 652023811 | CABLE HANGER | | 1 | | | | |
| 018 | YA00000772 | SWITCH | | 1 | | | | |
| 019 | YA00000782 | SWITCH BOX LEFT | | 1 | | | | |
| 020 | YA00000778 | SELF TAPPING SCREW ST4X16 | | 6 | | | | |
| 021 | 652023795 | SPRING BOX RIGHT | | 1 | | | | |
| 022 | 652024721 | SELF DRILLING SCREW 3.5X10 | | 1 | | | | |
| 023 | 652023794 | SWITCH LEVER END LEFT | | 1 | | | | |
| 024 | YA00000737 | TORSION SPRING | | 1 | | | | |
| 025 | 652023793 | SPRING BOX LEFT | | 1 | | | | |
| 026 | YA00000778 | SELF TAPPING SCREW ST4X16 | | 1 | | | | |
| 027 | YA00000785 | SELF TAPPING SCREW ST4X25 | | 1 | | | | |
| 028 | YA00000921 | CABLE CLIP | | 1 | | | | |
| 029 | YA00000960 | SELF TAPPING SCREW ST3X12 | | 4 | | | | |
| 030 | YA00000961 | ANGLE ADJUSTMENT JOINT UPPER | | 2 | | | | |
| 031 | YA00000975 | TENSION LEVER ASSY | | 2 | | | | |
| 032 | YA00000976 | CONICAL SPRING | | 2 | | | | |
| 033 | YA00000977 | ANGLE ADJUSTMENT JOINT LOWER | | 2 | | | | |
| 034 | YA00000960 | SELF TAPPING SCREW ST3X12 | | 4 | | | | |

Model No.ELM4121 410MM ELECTRIC LAWN MOWER

| Tétel | Cikkszám | Megnevezés | Átalakulás | Menny. | New/Old | Opc 1 | Opc 2 | Megjegyzés |
|-------|------------|----------------------------------|------------|--------|---------|-------|-------|------------|
| 035 | YA00000802 | HEX.FRANGE CAP NUT M6 | | 2 | | | | |
| 036 | YA00000974 | LOWER HANDLE ASSEMBLY | | 2 | * | | | |
| 036-1 | YA00000974 | LOWER HANDLE ASSEMBLY | > | 1 | | | | |
| 037 | YA00000970 | CABLE GUIDE RING | | 1 | | | | |
| 038 | YA00000971 | RUBBER SHEET | | 1 | | | | |
| 039 | YA00000971 | RUBBER SHEET | | 1 | | | | |
| 040 | YA00000972 | CABLE GUIDE CLAMP | | 1 | | | | |
| 041 | YA00000873 | SELF TAPPING SCREW ST4X12 | | 1 | | | | |
| 042 | YA00000973 | SELF TAPPING SCREW ST3X16 | | 1 | | | | |
| 044 | YA00000983 | SQUARE NECKED BOLT M8X40 | | 2 | | | | |
| 045 | YA00000996 | RIGHT HANDLE BRACKET | | 1 | * | | | |
| 045-1 | YA00000996 | RIGHT HANDLE BRACKET | O | 1 | | | | |
| 046 | YA00000803 | M8 KNOB | | 2 | | | | |
| 047 | YA00001001 | LEFT HANDLE BRACKET | | 1 | * | | | |
| 047-1 | YA00001001 | LEFT HANDLE BRACKET | O | 1 | | | | |
| 048 | YA00000997 | CABLE CLAMP | | 1 | | | | |
| 049 | YA00000998 | PAN HEAD SCREW M6X8 | | 1 | | | | |
| 050 | YA00000995 | H.S.TRUSS HEAD SCREW M8X16 | | 4 | | | | |
| 051 | YA00001008 | AIR INTAKE PLATE RIGHT BULE | | 1 | | | | |
| 052 | YA00001010 | SPONGE SHEET | | 1 | | | | |
| 053 | YA00001006 | MOTOR HOOD UPPER BLUE | | 1 | | | | |
| 054 | YA00001011 | SPONGE SHEET | | 1 | | | | |
| 055 | YA00001012 | AIR INTAKE PLATE LEFT BULE | | 1 | | | | |
| 056 | YA00000450 | PAN HEAD SCREW M5X14 | | 4 | * | | | |
| 056-1 | YA00000450 | PAN HEAD SCREW M5X14 | O | 4 | | | | |
| 057 | YA00001174 | CABLE TIE | | 1 | | | | |
| 058 | YA00001173 | HEAT SHRINKABLE TUBE | | 1 | | | | |
| 059 | YA00001181 | LEAD WIRE SET | | 1 | | | | |
| 060 | YA00000928 | MOTOR ASSY (230V) | | 1 | | | | |
| D10 | | INC. 57,58,61,62 | | | | | | |
| 061 | YA00000813 | SELF TAPPING SCREW ST4X10 | | 4 | | | | |
| 062 | YA00000814 | CARBON BRUSH 2PICS SET | | 1 | | | | |
| 063 | YA00001183 | MOTOR FLAME & PULLEY ASSY | | 1 | | | | |
| 064 | YA00000806 | SELF TAPPING SCREW ST5X20 | | 4 | | | | |
| 065 | YA00001180 | LIBED BELT | | 1 | | | | |
| 066 | 652023843 | NYLON INSERT HEX. LOCK NUT M8 | | 4 | | | | |
| 067 | YA00001184 | BELT COVER | | 1 | | | | |

Model No.ELM4121 410MM ELECTRIC LAWN MOWER

| Tétel | Cikkszám | Megnevezés | Átalakulás | Menny. | New/Old | Opc 1 | Opc 2 | Megjegyzés |
|-------|------------|----------------------------------|------------|--------|---------|-------|-------|------------|
| 068 | YA00000806 | SELF TAPPING SCREW ST5X20 | | 5 | | | | |
| 069 | YA00000778 | SELF TAPPING SCREW ST4X16 | | 2 | | | | |
| 070 | YA00001034 | CORD CLAMP | | 1 | | | | |
| 071 | YA00000992 | REAR FLAP BULE | | 1 | | | | |
| 072 | YA00000990 | STOP RING E-5 | | 1 | | | | |
| 073 | YA00000991 | REAR FLAP HINGE ROD | | 1 | | | | |
| 074 | YA00000994 | REAR FLAP TORSION SPRING 7.7 | | 1 | | | | |
| 075 | YA00000999 | REAR FLAP MOUNT BULE | | 1 | | | | |
| 076 | YA00000794 | SELF TAPPING SCREW ST4X14 | | 5 | | | | |
| 077 | YA00001002 | HEIGHT ADJUSTER STOP PLATE | | 1 | | | | |
| 078 | YA00000450 | PAN HEAD SCREW M5X14 | | 2 | * | | | |
| 078-1 | YA00000450 | PAN HEAD SCREW M5X14 | O | 2 | | | | |
| 079 | YA00000393 | NYLON INSERT HEX. LOCK NUT M5 | | 4 | * | | | |
| 079-1 | YA00000393 | NYLON INSERT HEX. LOCK NUT M5 | O | 4 | | | | |
| 080 | YA00001032 | HEX. FLANGE BOLT M5X12 | | 4 | | | | |
| 081 | YA00001003 | DECK | | 1 | | | | |
| 082 | YA00001019 | FRONT HOOD BLUE | | 1 | | | | |
| 083 | YA00001021 | FRONT AXLE COVER | | 1 | | | | |
| 084 | YA00000778 | SELF TAPPING SCREW ST4X16 | | 8 | | | | |
| 085 | YA00000794 | SELF TAPPING SCREW ST4X14 | | 2 | | | | |
| 086 | YA00001030 | SELF TAPPING SCREW ST5X20 | | 4 | | | | |
| 087 | YA00001030 | SELF TAPPING SCREW ST5X20 | | 6 | | | | |
| 088 | YA00001015 | BELT COVER RETAINER | | 1 | | | | |
| 089 | YA00001016 | HEX. SOCKET HEAD BOLT M8X35 | | 4 | | | | |
| 090 | YA00001029 | SPACER RING 16 | | 1 | | | | |
| 091 | YA00000890 | BLADE SUPPORT | | 1 | | | | |
| 092 | YA00000734 | BLADE 41 | | 1 | | | | |
| 093 | YA00000891 | CLAMP WASHER 8 | | 1 | | | | |
| 094 | YA00000827 | HEX. BOLT M8X25 | | 1 | | | | |
| 095 | YA00000925 | WHEEL CAP 7INCH | | 2 | | | | |
| 096 | 652023843 | NYLON INSERT HEX. LOCK NUT M8 | | 2 | | | | |
| 097 | YA00000420 | WASHER | | 2 | | | | |
| 098 | YA00000926 | WHEEL 8INCH | | 2 | | | | |
| 099 | YA00000989 | HEIGHT ADJUST GRIP | | 1 | | | | |
| 100 | YA00000988 | PAN HEAD SCREW M4X12 | | 1 | | | | |
| 101 | YA00000987 | HEIGHT ADJUST LEVER | | 1 | | | | |

Please order the parts with part number.

Print Date 2020/4/23

Model No.ELM4121 410MM ELECTRIC LAWN MOWER

| Tétel | Cikkszám | Megnevezés | Átalakulás | Menny. | New/Old | Opc 1 | Opc 2 | Megjegyzés |
|-------|------------|--------------------------------|------------|--------|---------|-------|-------|------------|
| 102 | YA00000407 | HEX. FLANGE BOLT M5X16 | | 2 | | | | |
| 103 | YA00000407 | HEX. FLANGE BOLT M5X16 | | 2 | | | | |
| 104 | YA00000986 | HEIGHT ADJUST SPRING | | 1 | | | | |
| 105 | YA00000393 | NYLON INSERT HEX. LOCK NUT M5 | | 1 | * | | | |
| 105-1 | YA00000393 | NYLON INSERT HEX. LOCK NUT M5 | O | 1 | | | | |
| 106 | YA00000985 | REAR AXLE | | 1 | | | | |
| 107 | YA00000393 | NYLON INSERT HEX. LOCK NUT M5 | | 2 | * | | | |
| 107-1 | YA00000393 | NYLON INSERT HEX. LOCK NUT M5 | O | 2 | | | | |
| 108 | YA00000851 | R PIN 7 | | 1 | | | | |
| 109 | YA00001017 | CONNECTING ROD | | 1 | | | | |
| 110 | YA00001018 | PIN 7 | | 1 | | | | |
| 111 | YA00001022 | WHEEL CAP 5.2INCH | | 2 | | | | |
| 112 | 652023843 | NYLON INSERT HEX. LOCK NUT M8 | | 2 | | | | |
| 113 | YA00000420 | WASHER | | 2 | | | | |
| 114 | YA00001023 | WHEEL 6INCH | | 2 | | | | |
| 115 | YA00000954 | FRONT AXLE | | 1 | | | | |
| 116 | YA00001026 | FRONT AXLE MOUNT UPPER | | 2 | | | | |
| 117 | YA00001025 | FRONT AXLE MOUNT LOWER | | 2 | | | | |
| 118 | YA00001027 | HEIGHT ADJUST ASSIST SPRING | | 2 | | | | |
| 119 | YA00000851 | R PIN 7 | | 1 | | | | |
| 120 | YA00001018 | PIN 7 | | 1 | | | | |
| 121 | YA00000962 | GRASS BOX ASSY(MAKITA) | | 1 | | | | |
| D10 | | INC. 122-129 | | | | | | |
| 122 | YA00000964 | GRASS CATCH SIDE CLOSS SET MAK | | 1 | | | | |
| 123 | YA00000791 | GRASS CATCHER INDICATOR BLUE | | 1 | | | | |
| 124 | YA00000966 | GRASS CATCHER UPPER BORAD | | 1 | | | | |
| 125 | YA00000795 | GRIP | | 1 | | | | |
| 126 | YA00000794 | SELF TAPPING SCREW ST4X14 | | 2 | | | | |
| 127 | YA00000968 | GRASS CATCHER FRAME | | 1 | | | | |
| 128 | YA00000967 | WASHER 4 | | 6 | | | | |
| 129 | YA00000794 | SELF TAPPING SCREW ST4X14 | | 6 | | | | |
| 130 | YA00000978 | MULCHING PLUG ASSY | | 1 | | | | |
| D10 | | INC. 131-135 | | | | | | |
| 131 | YA00000979 | MULCHING PLUG BOX | | 1 | | | | |
| 132 | YA00000980 | LATCH HANDLE | | 1 | | | | |
| 133 | YA00000981 | COMPRESSION SPRING | | 1 | | | | |
| 134 | YA00000982 | SPRING RETAINER | | 1 | | | | |

Please order the parts with part number.

Print Date 2020/4/23

Model No.ELM4121 410MM ELECTRIC LAWN MOWER

| Tétel | Cikkszám | Megnevezés | Átalakulás | Menny. | New/Old | Opc 1 | Opc 2 | Megjegyzés |
|-------|------------|------------------------------|------------|--------|---------|-------|-------|------------|
| 135 | YA00000778 | SELF TAPPING SCREW ST4X16 | | 2 | | | | |
| 136 | YA00000798 | SPANNER 10-13 | | 1 | | | | |

Please order the parts with part number.

Print Date 2020/4/23