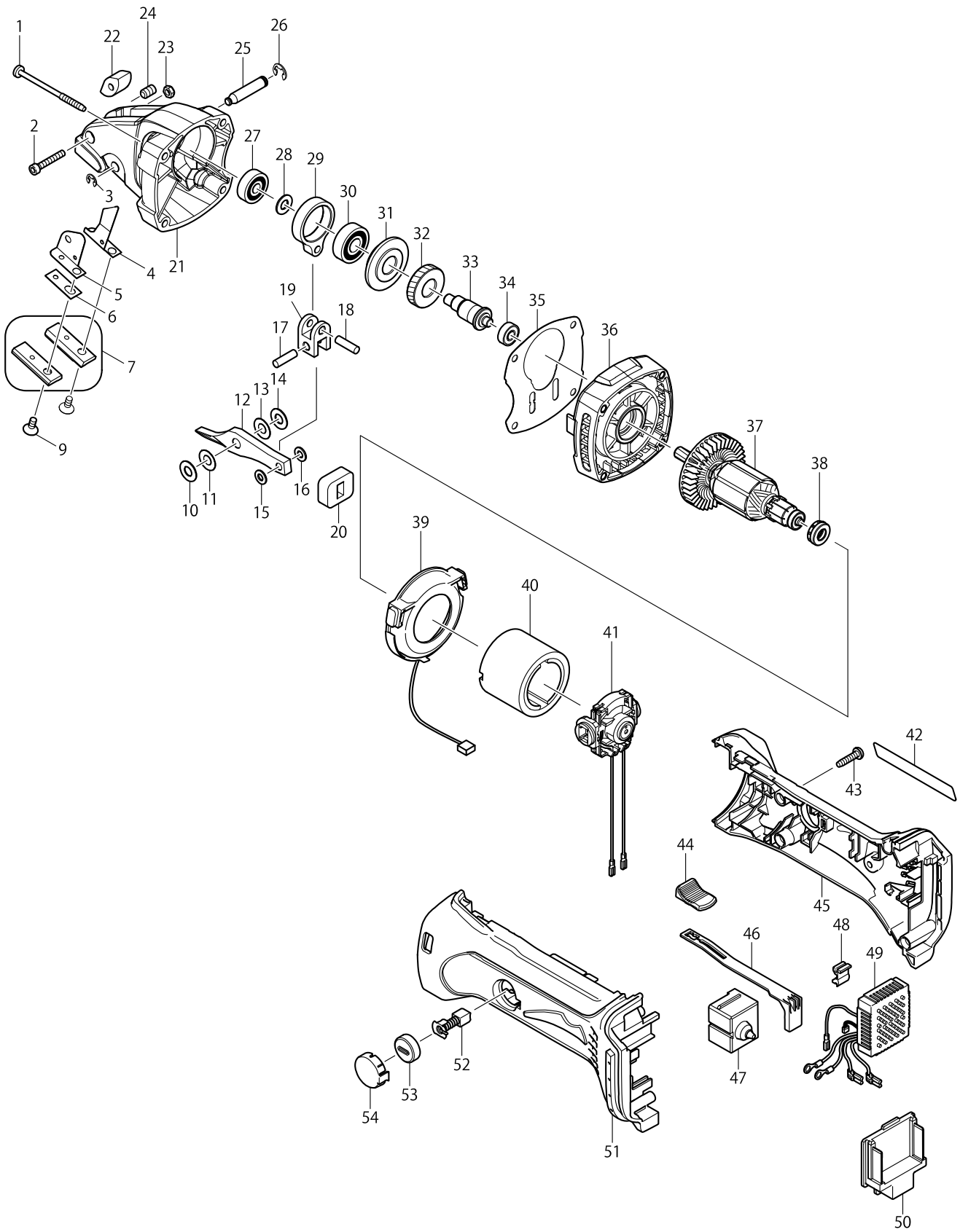


# Model No. DJS101 1.0MM CORDLESS METAL SHEAR



# Model No. DJS101 1.0MM CORDLESS METAL SHEAR

Item	Parts No.	Description	I/C	Qty	N/O	Opt. 1	Opt. 2	Note
001	266091-3	TAPPING SCREW 4X50		4				
002	922147-9	HEX. SOCKET HEAD BOLT M4X25		1				
003	961011-9	STOP RING E-4		1				
004	346131-4	SLIP PLATE R		1				
005	343480-0	SLIP PLATE L		1				
006	343481-8	SPACER		1				
007	792536-0	SIDE BLADE SET		1				
009	251951-2	HEX. SOCKET HEAD BOLT M5X10		2				
010	261065-9	TEFLON WASHER 7		1				
011	253338-4	THIN WASHER 7		1				
012	792537-8	CENTER BLADE		1				
013	253338-4	THIN WASHER 7		1				
014	261065-9	TEFLON WASHER 7		1				
015	267010-2	FLAT WASHER 5		1				
016	267010-2	FLAT WASHER 5		1				
017	256155-1	PIN 5		1				
018	256155-1	PIN 5		1				
019	331329-6	LINK		1				
020	423118-4	DUST COVER		1				
021	140130-6	CRANK HOUSING COMPLETE		1				
022	325727-4	BLOCK		1				
023	252083-8	HEX. LOCK NUT M4-7		1				
024	266085-8	H.S.SET SCREW(FLAT POINT)M6X10		1				
025	256733-7	PIN 7		1				
026	961012-7	STOP RING E-6		1				
027	210023-2	BALL BEARING 627DDW		1				
028	253133-2	FLAT WASHER 7		1				
029	331273-7	ROD		1				
030	210067-2	BALL BEARING 6000ZZ		1				
031	325716-9	SEALING SCREW		1				
032	227716-4	HELICAL GEAR 34		1				
033	325715-1	CRANK SHAFT		1				
034	210033-9	BALL BEARING 696ZZ		1				
035	442150-9	GASKET		1				
036	140131-4	GEAR HOUSING COMPLETE		1				
C10	263002-9	RUBBER PIN 4		1				
037	619249-7	ARMATURE		1				
038	421977-0	RUBBER RING 13		1				
039	631714-6	LED CIRCUIT		1				
040	638627-2	YOKE UNIT		1				
041	638921-2	ENDBELL COMPLETE		1				
042	850H44-6	DJS101 NAME PLATE		1				
043	265995-6	TAPPING SCREW 4X18		5				
044	419566-3	SWITCH KNOB		1				
045	187839-9	HOUSING SET		1				
C10	263005-3	RUBBER PIN 6		2				
D10		INC. 51						
046	419519-2	SWITCH LEVER		1				

**Model No. DJS101 1.0MM CORDLESS METAL SHEAR**

Item	Parts No.	Description	I/C	Qty	N/O	Opt. 1	Opt. 2	Note
047	650579-7	SWITCH 1246.3223		1				
048	424026-2	CUSHION		1				
049	620243-4	CONTROLLER		1				
050	644808-8	TERMINAL		1				
051	187839-9	HOUSING SET		1				
C10	263005-3	RUBBER PIN 6		2				
D10		INC. 45						
052	191971-3	CARBON BRUSH CB-430		1				
053	643929-3	BRUSH HOLDER CAP		2				
054	419518-4	HOLDER CAP COVER		2				
A01	783201-2	HEX. WRENCH 3		1				
A02F	***DC18RC	DC18RC FAST CHARGER		1				
A02G	***DC18RC	DC18RC FAST CHARGER		1				
A02I	***DC18RC	DC18RC FAST CHARGER		1				
A03F	194204-5	BATTERY BL1830 SET		2	*			
A03G	194204-5	BATTERY BL1830 SET		2	*			
A03I	196399-0	BATTERY BL1840 SET		2	*			
A03-1F	194204-5	BATTERY BL1830 SET	O	2				
A03-1G	194204-5	BATTERY BL1830 SET	O	2				
A03-1I	196399-0	BATTERY BL1840 SET	O	2				
A04F	450128-8	BATTERY COVER		1				
A04G	450128-8	BATTERY COVER		2				
A04I	450128-8	BATTERY COVER		2				
A05F	141478-9	PLASTIC CASE COMPLETE		1				
C10	163455-1	LATCH		2				
A05G	821550-0	CONNECTOR PLASTIC CASE (TYPE2)		1				
C10	453974-8	LATCH		4				
A05H	821550-0	CONNECTOR PLASTIC CASE (TYPE2)		1				
C10	453974-8	LATCH		4				
A05I	821550-0	CONNECTOR PLASTIC CASE (TYPE2)		1				
C10	453974-8	LATCH		4				
A06G	837636-0	INNER TRAY		1				
A06H	837636-0	INNER TRAY		1				
A06I	837636-0	INNER TRAY		1				
A07G	804B41-8	DJS101RFJ INDICATION LABEL		1				
A07H	804B42-6	DJS101ZJ INDICATION LABEL		1				
A07I	804B50-7	DJS101RMJ INDICATION LABEL		1				
A08G	804B43-4	DJS101RFJ PLASTIC CASE LABEL		2				
A08H	804B44-2	DJS101ZJ PLASTIC CASE LABEL		2				
A08I	804B51-5	DJS101RMJ PLASTIC CASE LABEL		2				