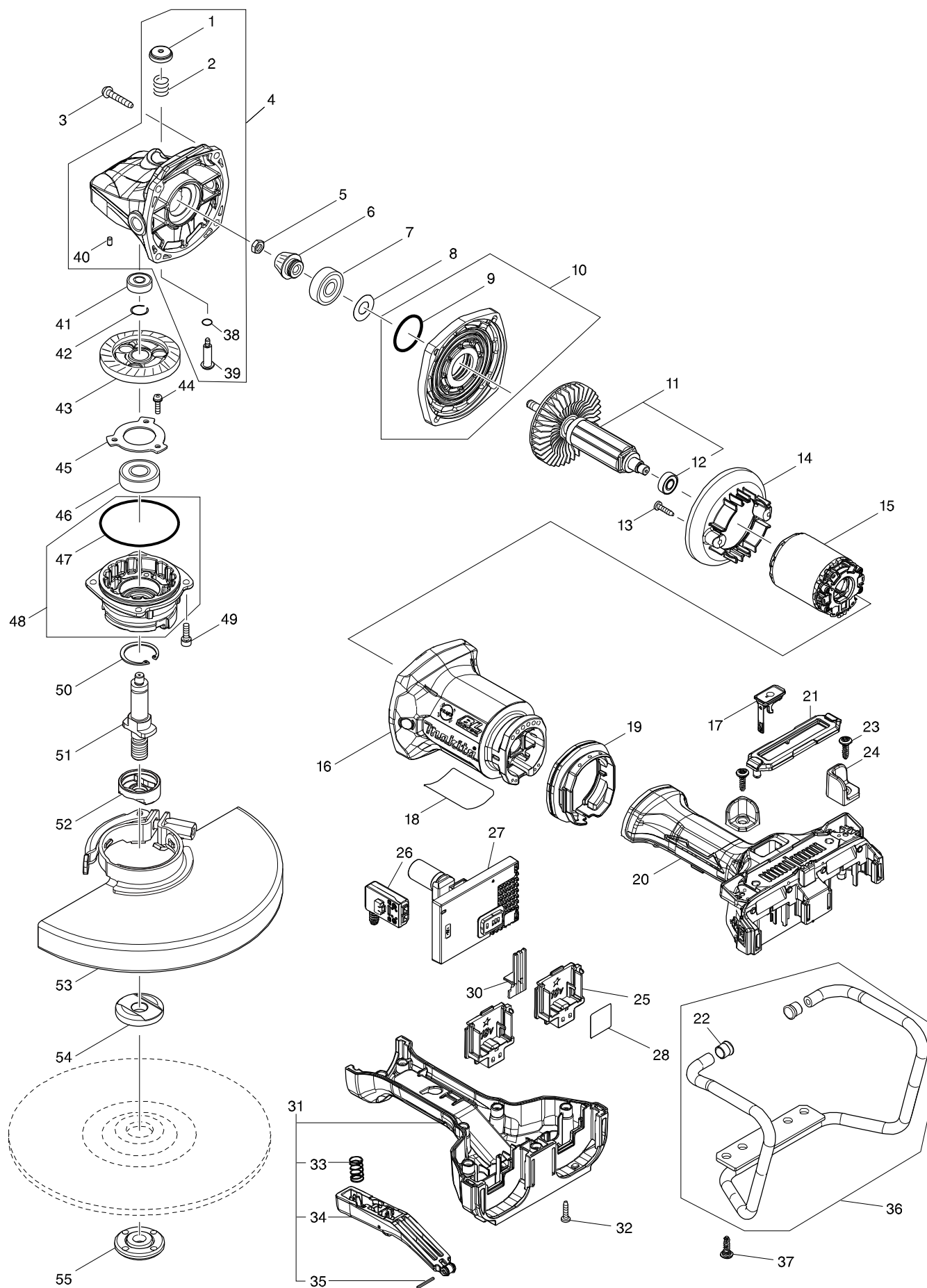


Modellszám DGA901 230MM CORDLESS ANGLE GRINDER



| Tétel | Cikkszám | Megnevezés | Átalak | Menny. | N/O | Opc 1 | Opc 2 | Megjegyzés |
|-------|----------|--------------------------------|--------|--------|-----|-------|-------|------------|
| 001 | 451485-7 | SAPKA GA9050R | | 1 | | | | |
| 002 | 233089-5 | NYOMÓRUGÓ 12 233089-5 | | 1 | | | | |
| 003 | 266173-1 | ÖNMETSZŐ CSAVAR M5X30 | | 4 | | | | |
| 004 | 135918-7 | GEAR HOUSING ASS'Y | | 1 | | | | |
| D10 | | INC. 1,2,38-40 | | | | | | |
| 005 | 264010-3 | CSAVAR ANYA | | 1 | | | | |
| 006 | 227563-3 | KÚPKERÉK GA9050 | | 1 | | | | |
| 007 | 211137-0 | GOLYÓCSAPÁGY HM0860C | | 1 | | | | |
| 008 | 253759-0 | LAPOS ALÁTÉT 12 JN3200/JS3200/ | | 1 | | | | |
| 009 | 213459-4 | O-GYŰRŰ 32 SR23, HK18, HR22/35 | | 1 | | | | |
| 010 | 135916-1 | GEAR HOUSING COVER ASS'Y | | 1 | | | | |
| D10 | | INC. 9 | | | | | | |
| 011 | 519436-7 | ROTOR ASS'Y | | 1 | * | | | |
| D10 | | INC. 12 | | | * | | | |
| 011-1 | 519436-7 | ROTOR ASS'Y | O | 1 | | | | |
| D10 | | INC. 12 | | | | | | |
| 012 | 211166-3 | BALL BEARING 698DDW | | 1 | | | | |
| 013 | 266326-2 | CSAVAR 4X18 | | 2 | | | | |
| 014 | 457618-2 | BAFFLE PLATE | | 1 | | | | |
| 015 | 629376-2 | STATOR | | 1 | | | | |
| 016 | 457615-8 | MOTOR HOUSING | | 1 | | | | |
| 017 | 140F99-0 | CAP COMPLETE | | 1 | | | | |
| C10 | 213218-6 | O-GYŰRŰ 16 AN7000 | | 1 | | | | |
| C20 | 818H07-8 | CAP LABEL | | 1 | | | | |
| 018 | 854U99-1 | DGA901 NAME PLATE | | 1 | | | | |
| 019 | 457619-0 | VIBRATION PROOF RUBBER | | 1 | | | | |
| 020 | 136022-5 | HANDLE SWITCH LEVER ASS'Y | | 1 | | | | |
| C10 | 263005-3 | GUMI CSAPSZEG 6 263005-3 | | 4 | | | | |
| D10 | | INC. 31,33-35 | | | | | | |
| 021 | 457620-5 | DUST COVER | | 1 | | | | |
| 022 | 422230-7 | CAP | | 2 | | | | |
| 023 | 251587-7 | H.L.TAPPING SCREW 5X18 | | 2 | | | | |
| 024 | 327048-0 | PROTECTION BLOCK | | 2 | * | | | |
| 024-1 | 347482-8 | PROTECTION BLOCK | O | 2 | | | | |
| 025 | 644809-6 | TERMINAL | | 2 | | | | |
| 026 | 651083-9 | SWITCH C3XA-1PSPM | | 1 | | | | |
| 027 | 620987-6 | CONTROLLER COMPLETE | | 1 | | | | |
| C10 | 801H41-5 | INDICATION LABEL | | 1 | | | | |
| 028 | 854V05-2 | DGA901 SERIAL NO. LABEL | | 1 | | | | |
| 030 | 457621-3 | LENS | | 1 | | | | |
| 031 | 136022-5 | HANDLE SWITCH LEVER ASS'Y | | 1 | | | | |
| C10 | 263005-3 | GUMI CSAPSZEG 6 263005-3 | | 4 | | | | |
| D10 | | INC. 20,33-35 | | | | | | |
| 032 | 265999-8 | ÖNMETSZŐ CSAVAR M4X25 | | 7 | | | | |
| 033 | 234357-9 | COMPRESSION SPRING 11 | | 1 | | | | |
| 034 | 144584-9 | SWITCH LEVER COMPLETE | | 1 | | | | |
| 035 | 951019-1 | SPRING PIN 2-20 | | 1 | | | | |
| 036 | 135919-5 | GUARD PIPE ASS'Y | | 1 | | | | |

