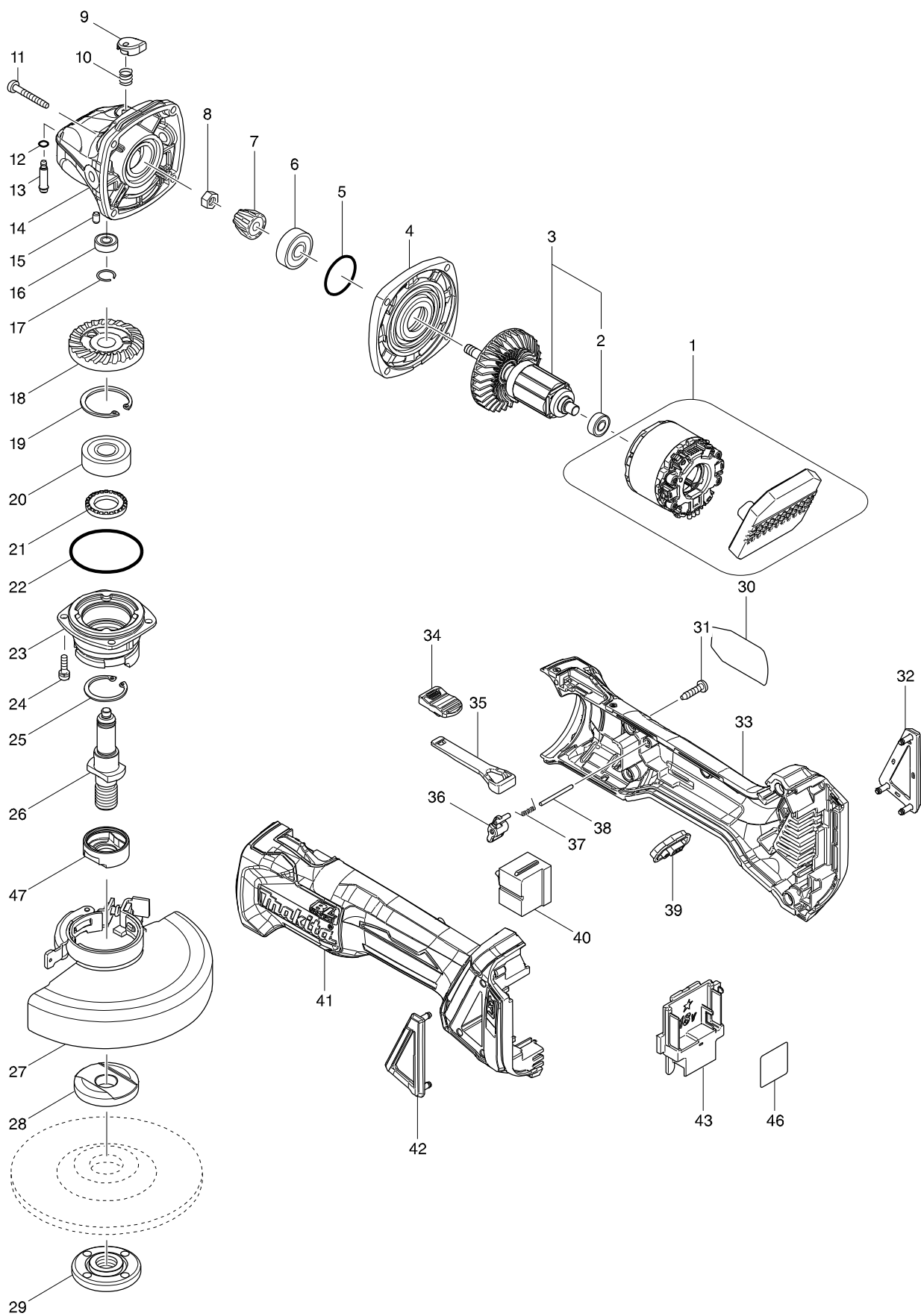


Modellszám DGA506 125MM CORDLESS ANGLE GRINDER



Tétel	Cikkszám	Megnevezés	Átala	Menny.	N/O	Opc 1	Opc 2	Megjegyzés
001	629201-7	STATOR COMPLETE		1				
002	210034-7	BALL BEARING 607LLB		1				
003	519378-5	ROTOR ASS'Y		1				
D10		INC. 2						
004	319214-3	GEAR HOUSING COVER		1				
005	213445-5	O-RING 26		1				
006	210042-8	BALL BEARING 629LLB		1				
007	227541-3	SPIRAL BEVEL GEAR 10		1				
008	252186-8	HEX. NUT M6		1				
009	417771-6	PIN CAP		1				
010	233072-2	COMPRESSION SPRING 8		1				
011	266361-0	TAPPING SCREW 4X30		4				
012	213960-9	O RING 5		1				
013	256546-6	SHOULDER PIN 4		1				
014	319213-5	GEAR HOUSING		1				
015	263002-9	RUBBER PIN 4		1				
016	210033-9	BALL BEARING 696ZZ		1				
017	233950-6	RING SPRING 11		1				
018	227641-9	SPIRAL BEVEL GEAR 37		1				
019	962151-6	RETAINING RING R-32		1				
020	211129-9	BALL BEARING 6201DDW		1				
021	262153-5	FELT RING 16		1				
022	213622-9	O RING 45		1				
023	319399-5	BEARING BOX		1				
024	911121-2	PAN HEAD SCREW M4X14		4				
025	962105-3	RETAINING RING R-26		1				
026	326672-6	SPINDLE		1				
027	123145-8	TOOLLESS WHEELCOVER 125AK ASS		1				
C10	213009-5	O RING 4		1				
C20	265180-1	PAN HEAD SCREW M5X16		1				
028	224447-6	INNER FLANGE 42B		1				
029	224554-5	LOCK NUT 14-45		1				
030	851Y86-5	DGA506 NAME PLATE		1				
031	266326-2	TAPPING SCREW 4X18		5				
032	455450-8	DUST COVER R		1				
033	187998-9	MOTOR HOUSING SET		1				
C10	263005-3	RUBBER PIN 6		2				
D10		INC. 41						
034	455447-7	SWITCH KNOB		1				
035	455446-9	SWITCH LEVER		1				
036	455448-5	LEVER		1				
037	231679-8	TORSION SPRING 2		1				
038	268330-7	PIN 2		1				
039	142901-7	INDICATOR PANEL COMPLETE		1				
040	650579-7	SWITCH 1246.3223		1				
041	187998-9	MOTOR HOUSING SET		1				
C10	263005-3	RUBBER PIN 6		2				
D10		INC. 33						

Tétel	Cikkszám	Megnevezés	Átala	Menny.	N/O	Opc 1	Opc 2	Megjegyzés
042	455449-3	DUST COVER L		1				
043	643899-6	TERMINAL		1				
046	851Y94-6	DGA506 SERIAL NO. LABEL		1				
047	310514-4	LEAD FLANGE		1				
A01	A-80656	GRINDING WHEEL 125 WA36N		1				
A02	158237-4	GRIP 36 COMPLETE		1				
A03	782423-1	LOCK NUT WRENCH 35		1				
A04B	***DC18RC	DC18RC FAST CHARGER		1				
D10		COMPO-PARTS						
A04C	***DC18RC	DC18RC FAST CHARGER		1				
D10		COMPO-PARTS						
A04D	***DC18RC	DC18RC FAST CHARGER		1				
D10		COMPO-PARTS						
A05B	194204-5	BATTERY BL1830 SET		2				
A05C	197265-4	BATTERY BL1840B SET		2				
A05D	197280-8	BATTERY BL1850B SET		2				
A06B	450128-8	BATTERY COVER		1				
A06C	450128-8	BATTERY COVER		1				
A06D	450128-8	BATTERY COVER		1				
A07B	821551-8	CONNECTOR PLASTIC CASE (TYPE3)		1				
C10	453974-8	LATCH		4				
A07C	821551-8	CONNECTOR PLASTIC CASE (TYPE3)		1				
C10	453974-8	LATCH		4				
A07D	821551-8	CONNECTOR PLASTIC CASE (TYPE3)		1				
C10	453974-8	LATCH		4				
A08B	838175-3	INNER TRAY		1				
A08C	838175-3	INNER TRAY		1				
A08D	838175-3	INNER TRAY		1				
A09B	808R90-3	DGA506RFJ INDICATION LABEL		1				
A09C	808R92-9	DGA506RMJ INDICATION LABEL		1				
A09D	808R94-5	DGA506RTJ INDICATION LABEL		1				
A10B	808R91-1	DGA506RFJ PLASTIC CASE LABEL		2				
A10C	808R93-7	DGA506RMJ PLASTIC CASE LABEL		2				
A10D	808R95-3	DGA506RTJ PLASTIC CASE LABEL		2				